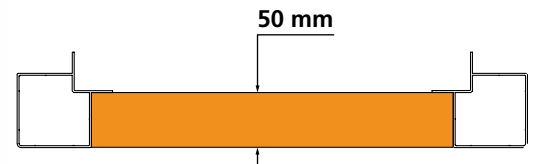


Standard system with aluminium corners

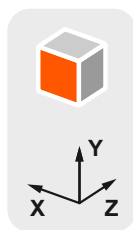
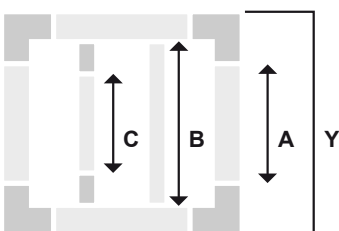
Panel thickness 50 mm
External dimension 70 mm



The APS Arosio system is born here.

The standard structure has simple lip profiles available and offers a wide range of combinations. Thanks to its simplicity, it is confirmed among the most used systems by those who deal in AHU. Use practicality and versatility make this system the reference point of all the manufacturers.

Cutting conditions of the profiles



$$A = Y - 180 \text{ mm} / 7.08''$$

$$B = Y - 140 \text{ mm} / 5.51''$$

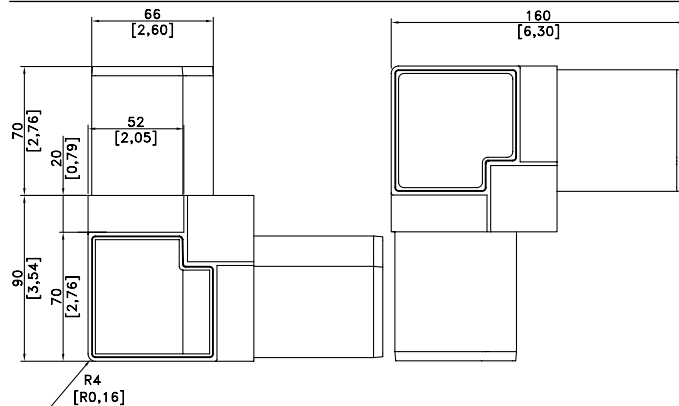
$$C = Y - 180 \text{ mm} / 7.08''$$

The formulas are valid for all sides of the module
Y = external dimension

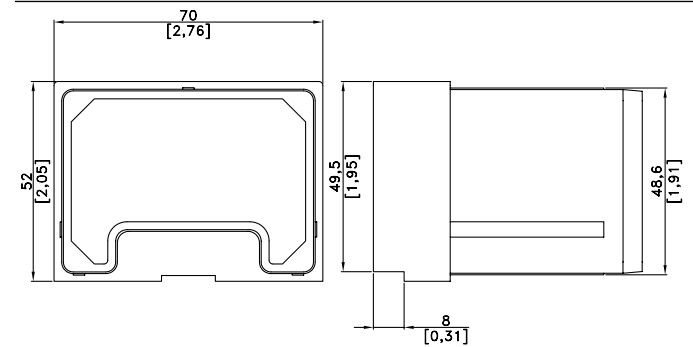
Aluminium accessories

AC730-5000 Main corner	GOP270-500 Omega joint	TECHNICAL DATA
		Panel thickness 50 mm / 1.95"
Weight: 827 g	Weight: 170 g	Material EN AB 46100
		Color RAL

AC730-5000



GOP270-500

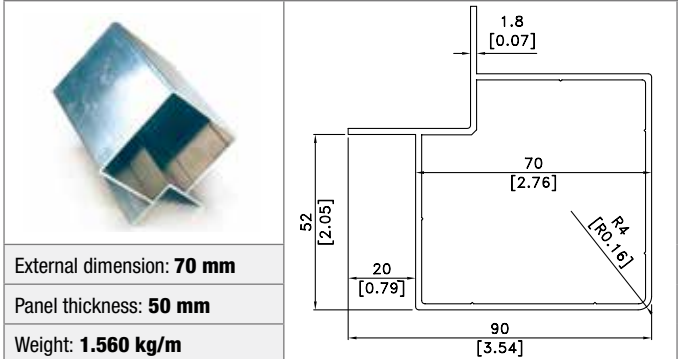


Aluminium profiles

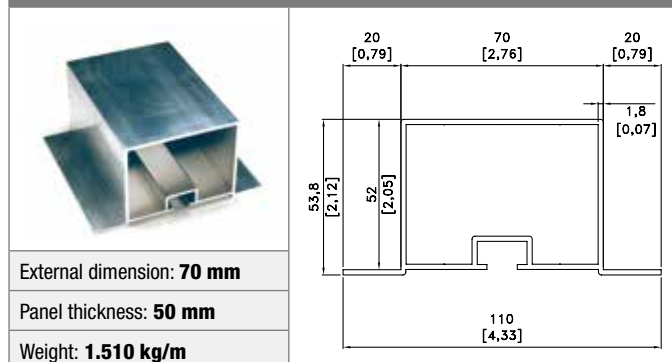
TECHNICAL DATA

Material	Extruded aluminium EN AW 6060
Treatment	T6
Color	RAL

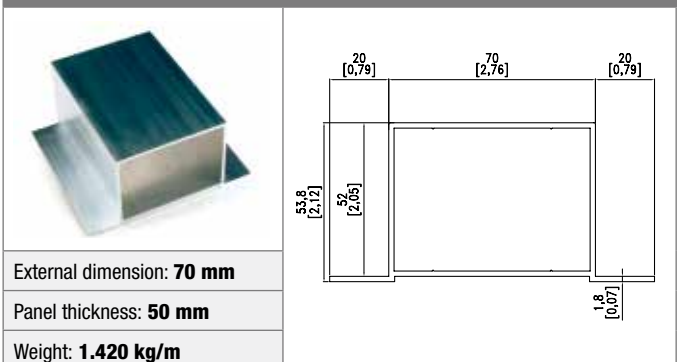
P170-50000 Main profile



P270-50000 Omega profile with channel


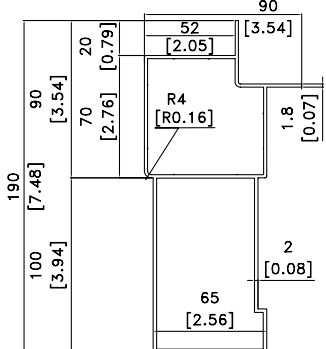


P370-50000 Omega profile without channel




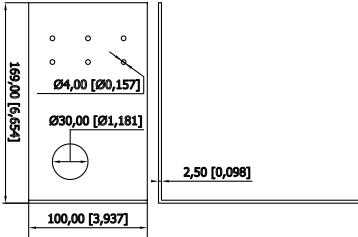
Bases

BAS170-500 Base profile

External dimension: 70 mm
Panel thickness: 50 mm
Weight: 3.100 kg/m


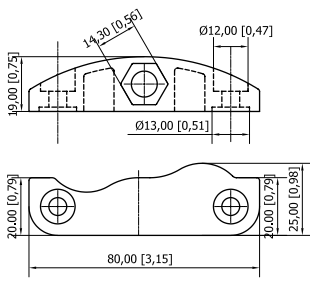
FE-1000000 Corner for base

External dimension: 100 mm
Material: Galvanized steel
Weight: 610 g


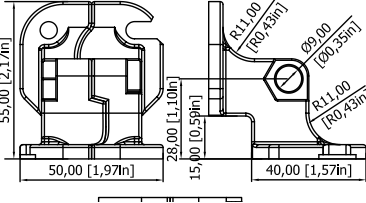
Unit connection

TH5009-000 Unit connection with screws

External dimension: 40 mm
Material: EN AB 46100
Weight: 44 g

GU-9000000 90° Unit connection

External dimension: 40 mm
Material: EN AB 46100
Weight: 116 g

