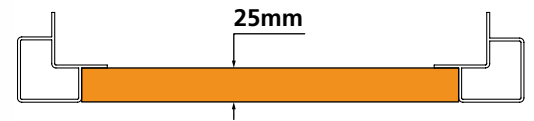
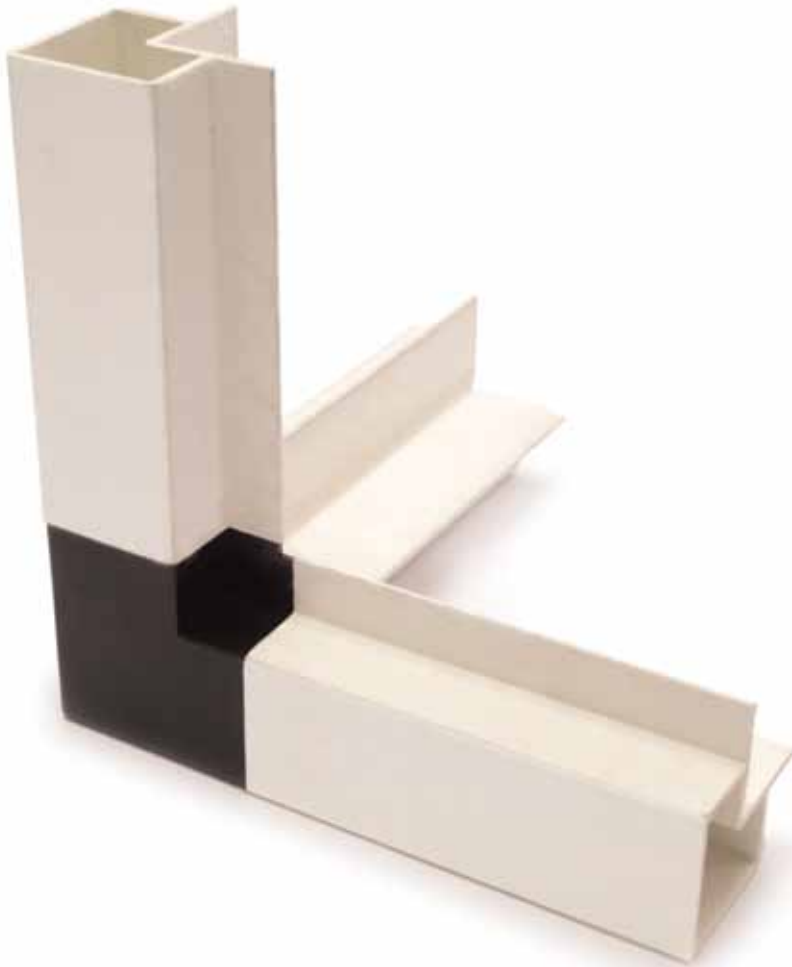


Thermal break system Pultruded fiber glass profiles

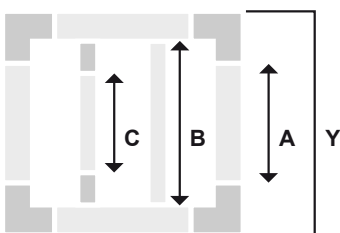
Panel thickness 25 mm
External dimension 50 mm



The thermal break is the best method to contrast the temperature differences between the inside and outside of the unit. Mainly used in those environments where extreme climatic conditions exist, it avoids the formation of condensate inside the chambers.

The thermal break series is in continuous growth, in order to satisfy the most different needs of manufacturers with the APS Arosio quality.

Cutting conditions of the profiles



$$A = Y - 150 \text{ mm} / 5.85''$$

$$B = Y - 100 \text{ mm} / 3.9''$$

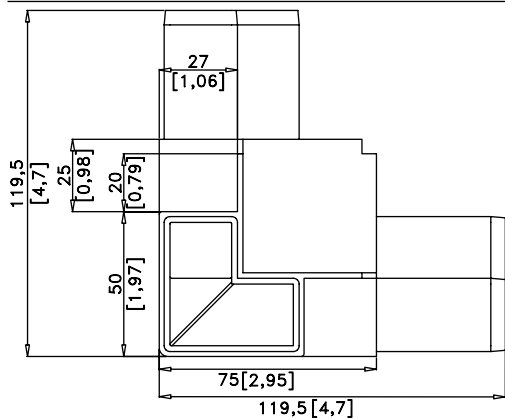
$$C = Y - 140 \text{ mm} / 5.46''$$

The formulas are valid for all sides of the module
Y = external dimension

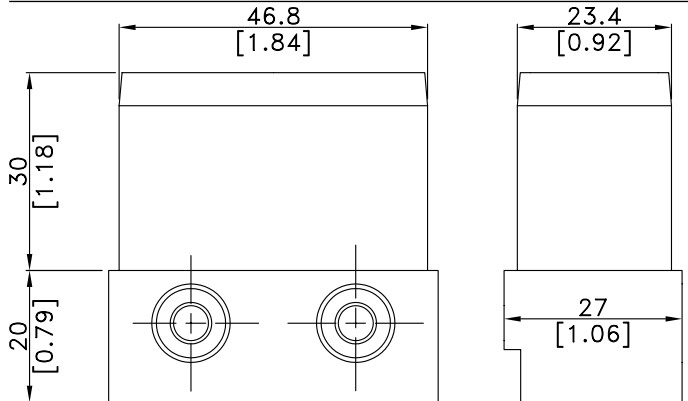
Nylon accessories

AFG530-250 Main corner	GFG250-250 Omega joint	TECHNICAL DATA
		Panel thickness 25 mm / 1.56"
Weight: 240 g	Weight: 25 g	Material PA6 + FG 20%
		Color Black

AFG530-250



GFG250-250

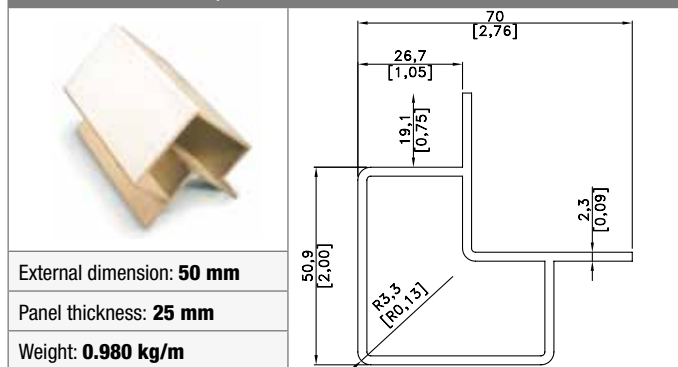


Pultruded fiberglass profiles

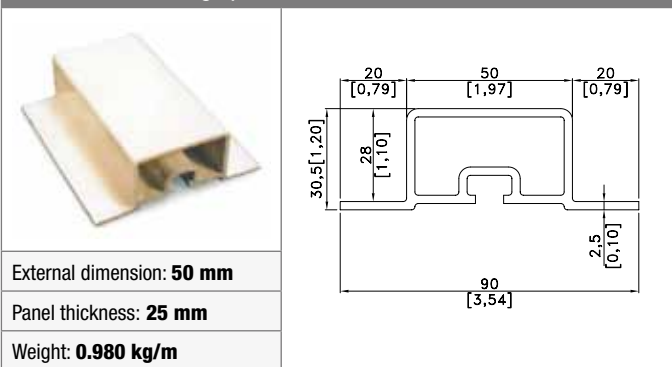
TECHNICAL DATA

Material GFRP

PF6150-250 Main profile

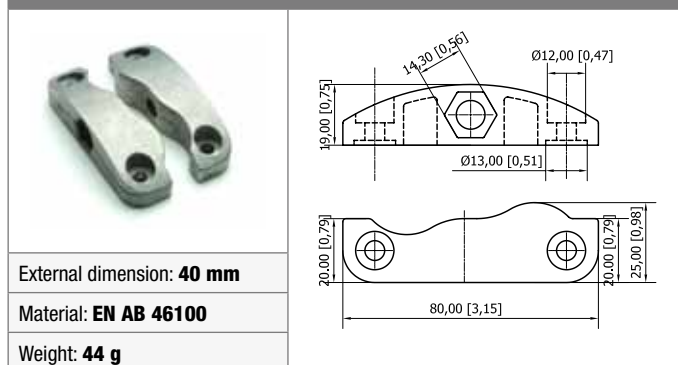


PF6250-250 Omega profile with channel



Unit connection

TH5009-000 Unit connection with screws



GU-9000000 90° Unit connection

