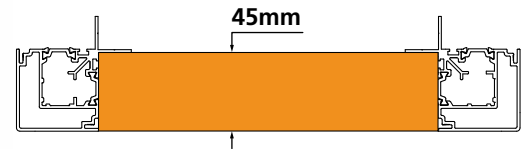


Thermal break system

Panel thickness 45 mm
External dimension 50 mm

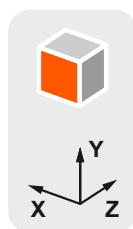
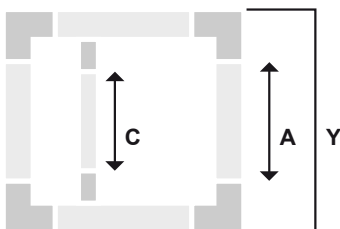


T2/TB2 DIN EN 1886

The thermal break is the best method to contrast the temperature differences between the inside and outside of the unit. Mainly used in those environments where extreme climatic conditions exist, it avoids the formation of condensate inside the chambers.

The thermal break series is in continuous growth, in order to satisfy the most different needs of manufacturers with the APS Arosio quality.



Cutting conditions of the profiles



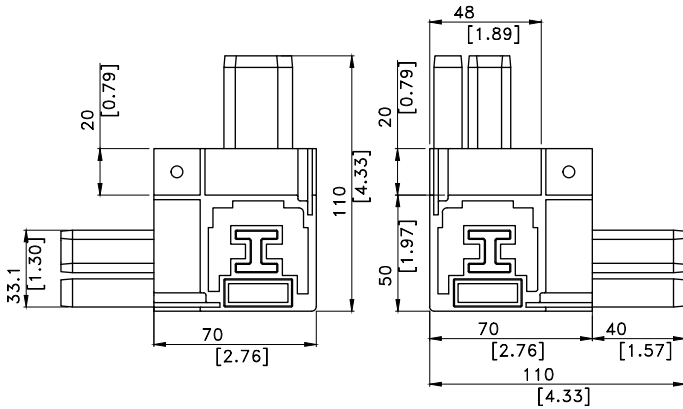
Y = External dimension
A = Y - 140 mm / 5.5"
C = Y - 140 mm / 5.5"

The formulas are valid for all sides of the module
Y = external dimension

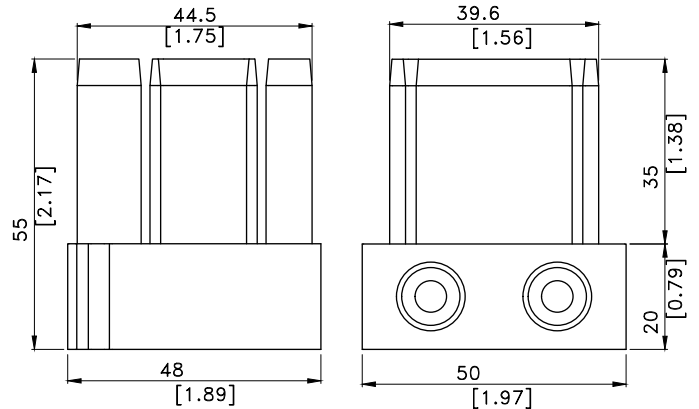
Nylon accessories

AFGTT50-45 Main and joining corner	GFGTT50-45 Omega joint	TECHNICAL DATA
		Panel thickness 45 mm / 1.77"
Weight: 220 g	Weight: 48 g	Material PA6 + FG 20%
		Color Black



AFGTT50-45

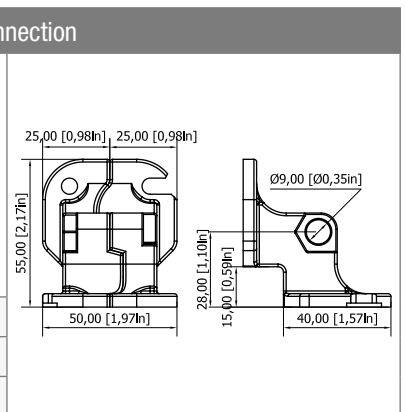
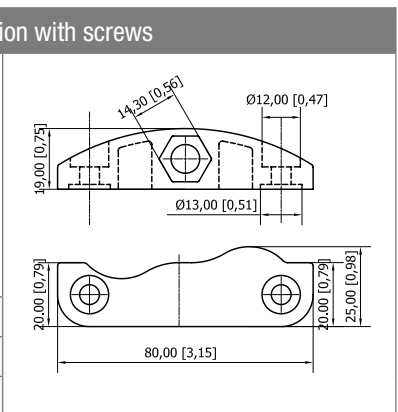


GFGTT50-45



Unit connection

TH5009-000 Unit connection with screws	GU-9000000 90° Unit connection
	
External dimension: 40 mm	External dimension: 40 mm
Material: EN AB 46100	Material: EN AB 46100
Weight: 44 g	Weight: 116 g

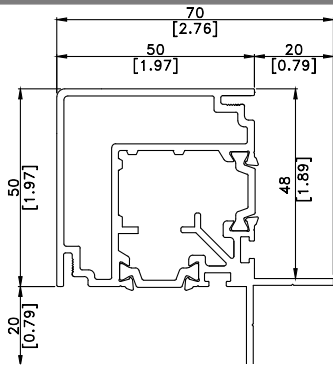


Thermal break aluminium profiles

TECHNICAL DATA

Material	Extruded aluminium EN AW 6060
Treatment	T6
Color	RAL

PTT150-450 Main profile

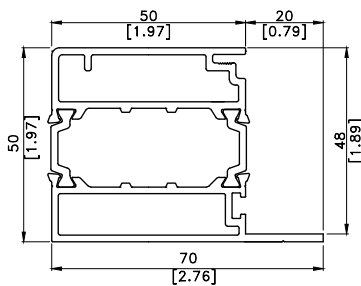


External dimension: **50 mm**

Panel thickness: **45 mm**

Weight: **1.925 kg/m**

PTT450-450 Joining profile

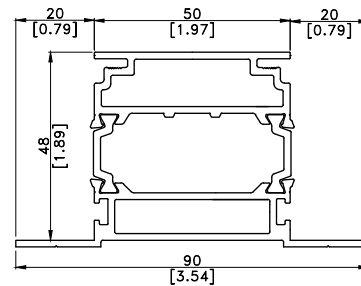


External dimension: **50 mm**

Panel thickness: **45 mm**

Weight: **1.730 kg/m**

PTT250-450 Omega profile

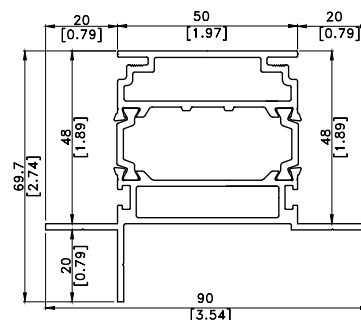
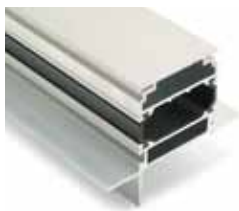


External dimension: **50 mm**

Panel thickness: **45 mm**

Weight: **1.850 kg/m**

PTT251-450 Omega profile for overlapping section



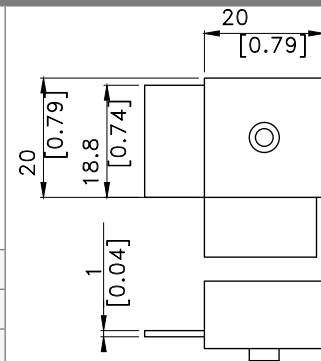
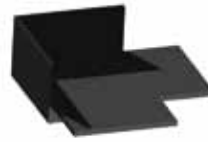
External dimension: **50 mm**

Panel thickness: **45 mm**

Weight: **1.940 kg/m**

Gaskets

GUAR.01437 Gasket corner

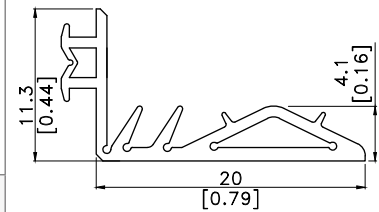


External dimension: **20 mm**

Material: **Rubber**

Weight: -

GUAR.00013 Ledge gasket

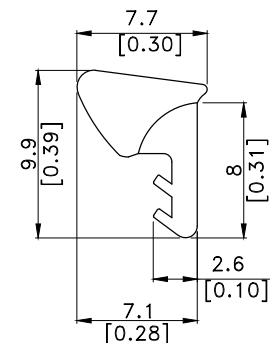


External dimension: **20 mm**

Material: **TPE-V**

Weight: -

GUAR.00015 Top gasket



External dimension: **7,5 mm**

Material: **Foamed EPDM**

Weight: -



