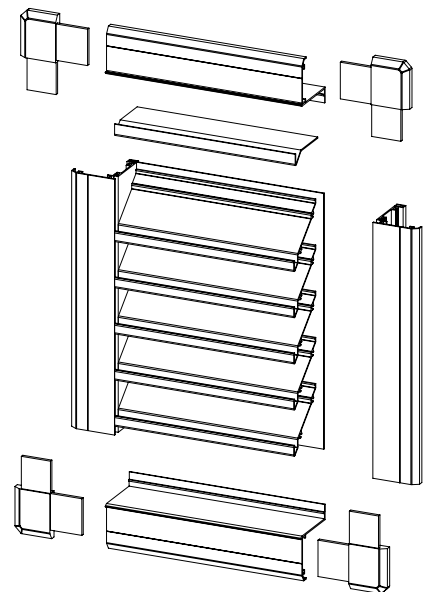


Louver 50 mm pitch



Designed to have maximum compatibility with APS Arosio frames, louver 50 offers high protection against rain and external elements such as small animals. The frame and the blades are made up of extruded aluminum and are assembled with top quality components.

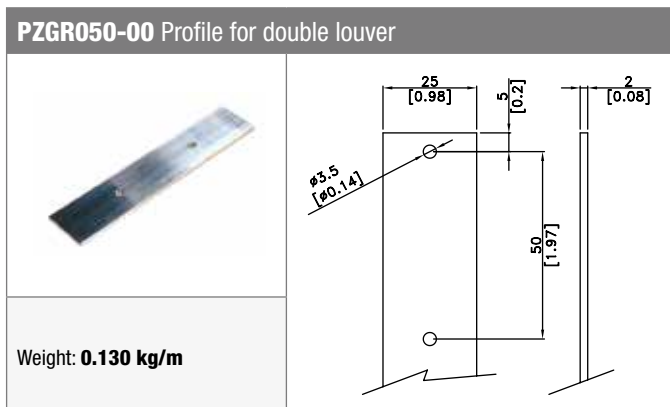
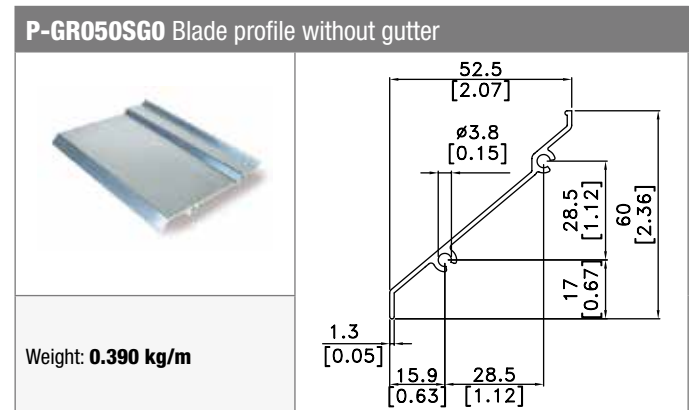
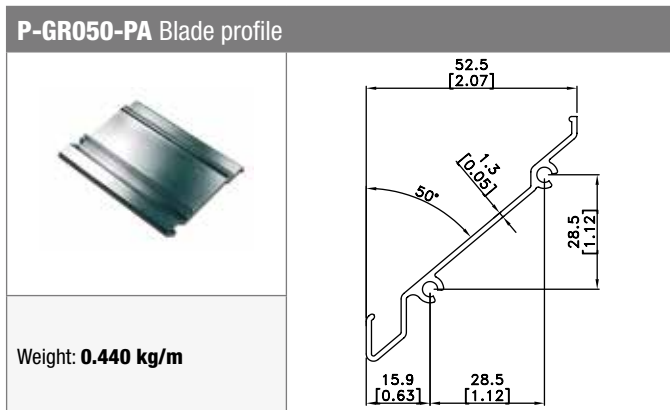
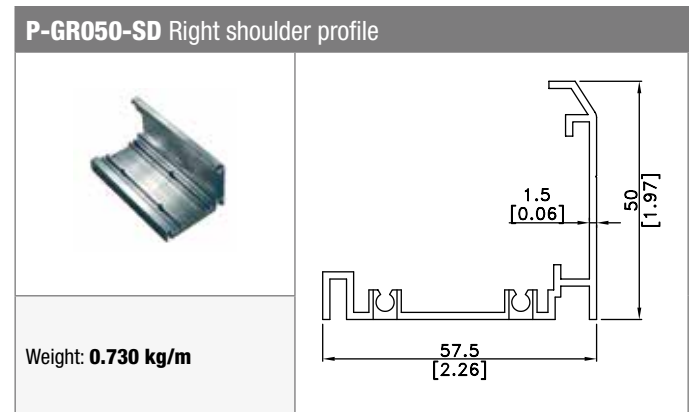
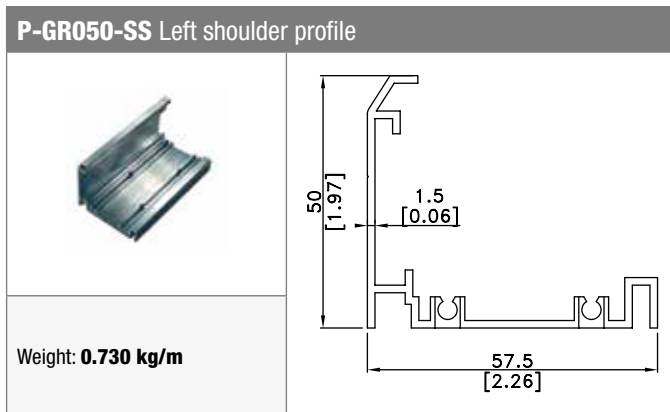
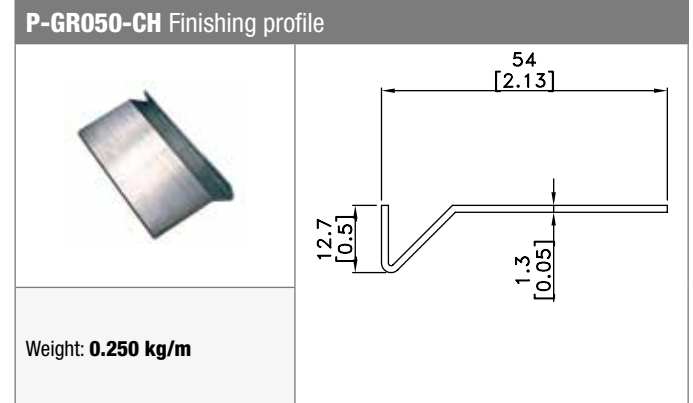
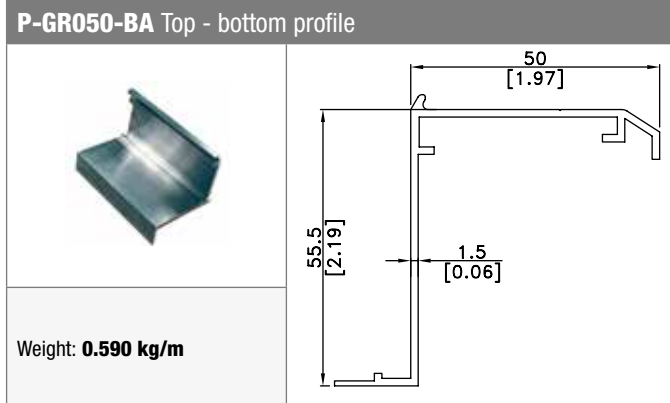
This louver keeps a distance between the blades of 50 mm / 1.97". Their special design allows the maximum flow of air and the drainage channels assure a perfect flow of the water.



Aluminium profiles

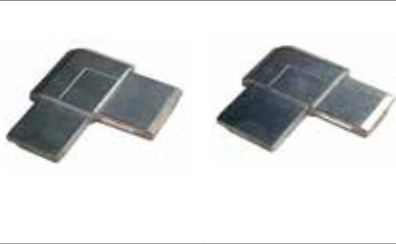
TECHNICAL DATA

Max profile lenght	6000 mm / 234"
Material	EN AW 6060
Finish	Natural / Painted / Oxidized
Treatment	T6
Color	RAL

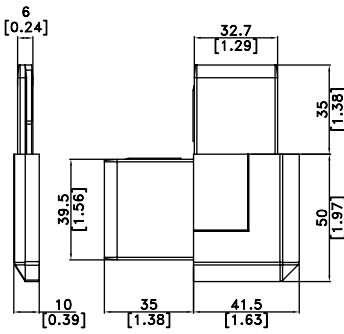


Accessories

AZ-GR00000 Pair of corners for louver (right and left)



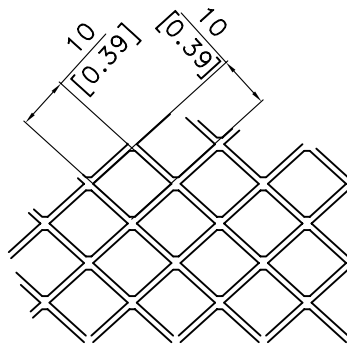
Weight: **148 g**



TECHNICAL DATA

Material	Zama
Finish	Natural

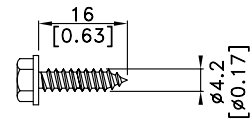
RETE-GR-02 Protection wire 10x10 mm thickness 1.5 mm



Material: **Steel**

Finish: **Galvanized**

VITE8-0000 Screw



Material: **Steel**

Finish: **Galvanized**

Test

